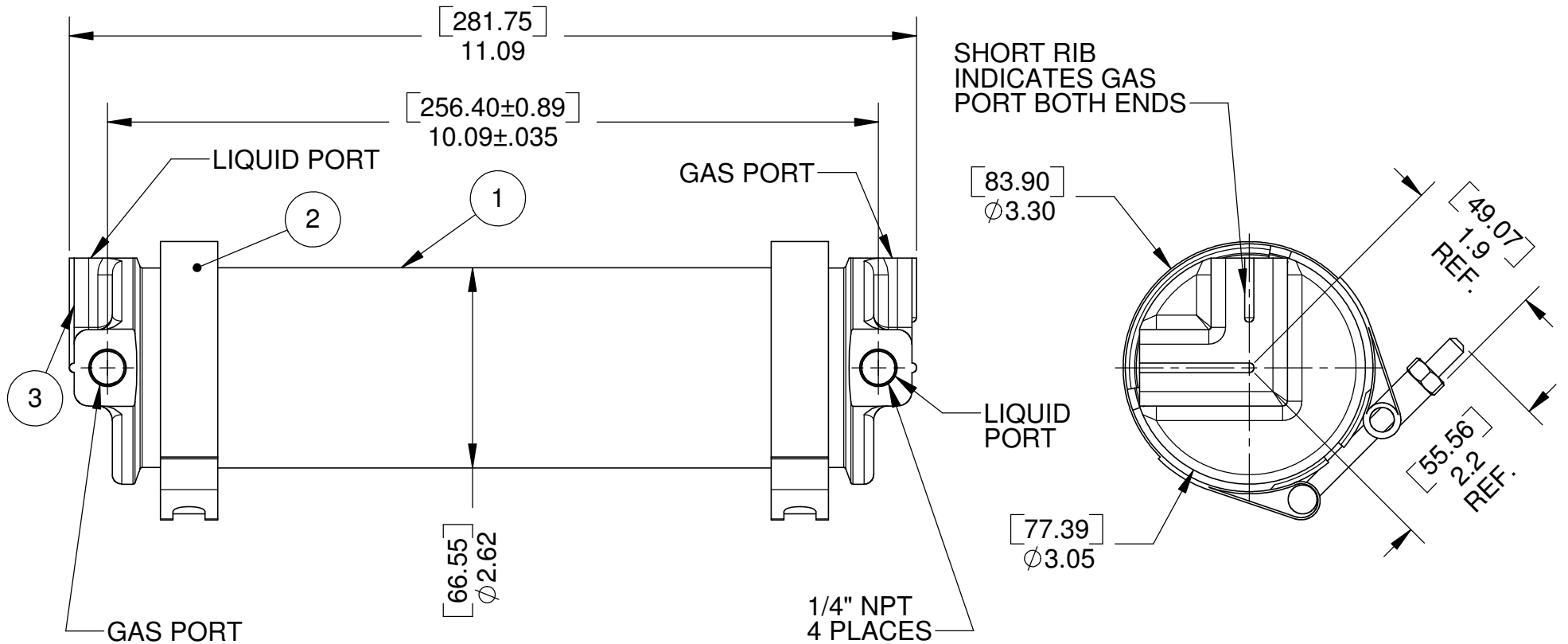


ITEM	RAW NO. PP	DESCRIPTION	QTY.
1	RAW50136	VESSEL	1
2	RAW50072	CLAMP	2
3	RAW50135	END CAP	2



UNLESS OTHERWISE SPECIFIED:		SCALE: 1:2	NAME	DATE
DIMENSIONS IN INCHES TOLERANCES: FRACTIONAL ANGULAR: ONE PLACE DECIMAL TWO PLACE DECIMAL THREE PLACE DECIMAL	DIMENSIONS IN MILLIMETERS TOLERANCES: ANGULAR: ZERO PLACES ONE PLACE TWO PLACES	WT:	DRAWN	TDP
		Purchase Spec:	ENG APPR.	
			MFG APPR.	
			Q.A.	

THE INFORMATION CONTAINED IS CONFIDENTIAL, SUCH INFORMATION IS THE PROPERTY OF MEMBRANA AND MAY NOT BE USED BY, OR DISCLOSED TO OTHERS WITHOUT WRITTEN CONSENT OF MEMBRANA. THE INFORMATION CONTAINED HEREIN MAY NOT BE USED FOR ANY PURPOSE OTHER THAN THE EXPRESSED INTENT FOR WHICH IT WAS SENT.  
©2002 MEMBRANA

**MEMBRANA**  
**MEMBRANA**  
**Underlining Performance**

INTERPRET GEOMETRIC TOLERANCING PER: ANSI Y14	SIZE <b>A</b>	TITLE: 2.5 X 8 EXTRAFLOW, CLAMPED		
MATERIAL	PART NO.	DWG. NO.	SHEET 1 OF 1	REV <b>3</b>
DO NOT SCALE DRAWING		<b>SMC-0102-12-2837</b>		