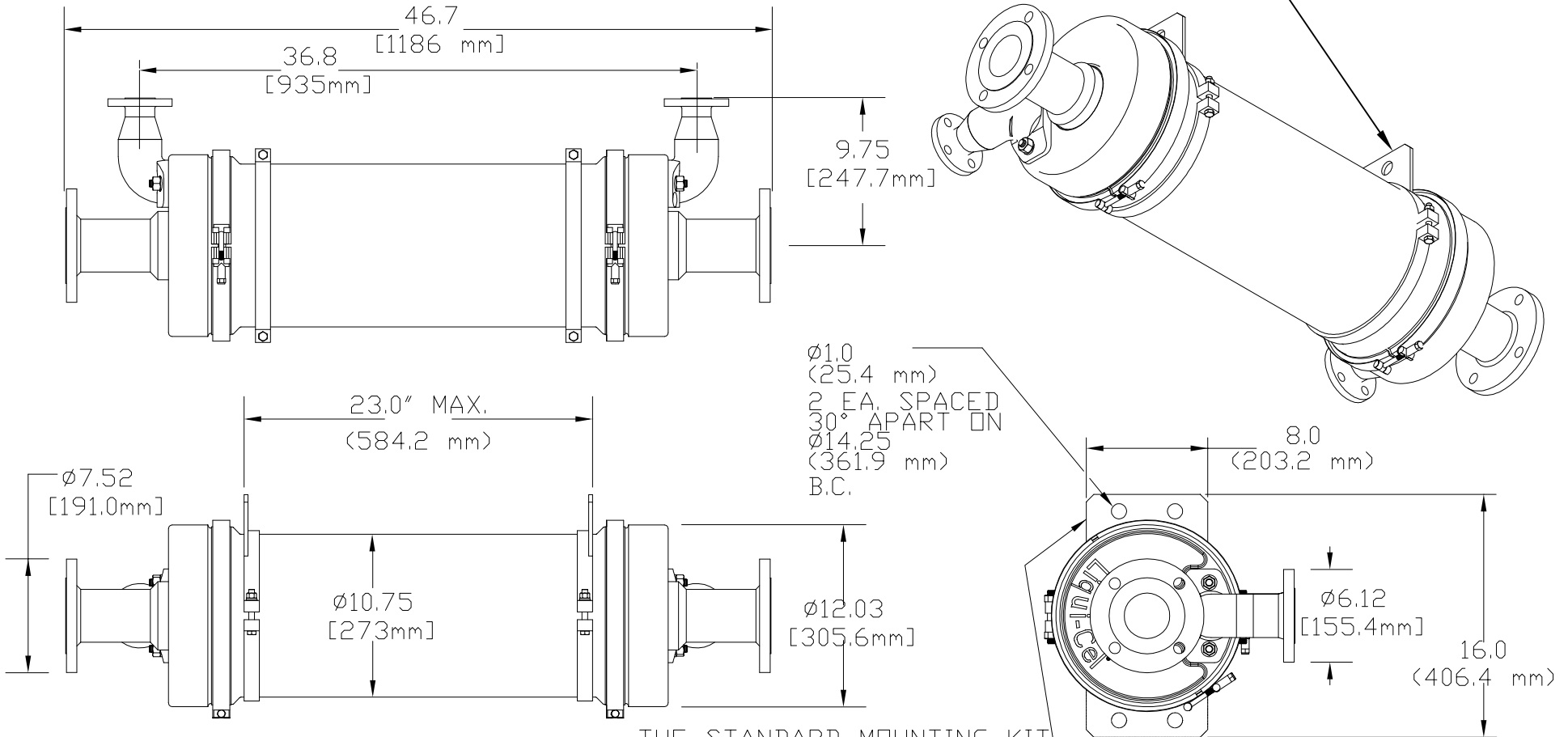


ANGULAR ORIENTATION OF THESE MOUNTING BRACKETS WITH RESPECT TO THE HOUSING (2 EA PER HOUSING, KIT 152). CENTERLINE IS COMPLETELY FLEXIBLE THE DECISION OF THE FINAL ORIENTATION IS THEREFORE TOTALLY DEPENDENT ON CUSTOMER HARDWARE.



THE STANDARD MOUNTING KIT IS SOLD SEPARATELY, AND INCLUDES 2 MOUNTING STRAPS (GROUP K152).

REV	DESCRIPTION	DRWN BY	CHKD	APVD	D R
					02-04
					1/2/08

THE INFORMATION CONTAINED HEREIN IS CONFIDENTIAL AND THE PROPERTY OF MEMBRANA AND MAY NOT BE USED OR REPRODUCED IN ANY MANNER WITHOUT THE WRITTEN CONSENT OF MEMBRANA. THE INFORMATION CONTAINED HEREIN IS NOT TO BE USED FOR ANY PURPOSE OTHER THAN THE CORRECTED WORK FOR WHICH IT WAS USED.

MEMBRANA
Underlining Performance

RECD	PART	DRAWING NUMBER	SHEET NO	DESCRIPTION	MATERIAL	REMARKS
			1 OF 1	SMC-0110-12-6036		
DRWN BY	RHC	APPROVED FOR CONSTRUCTION	SCALE	PLAN FILE NO	POCKET NO	FOLDER NO
CHECKED BY		SUPERSEDES	NONE			
APPROVED BY		SUPERSEDED BY				
APPROVED BY						