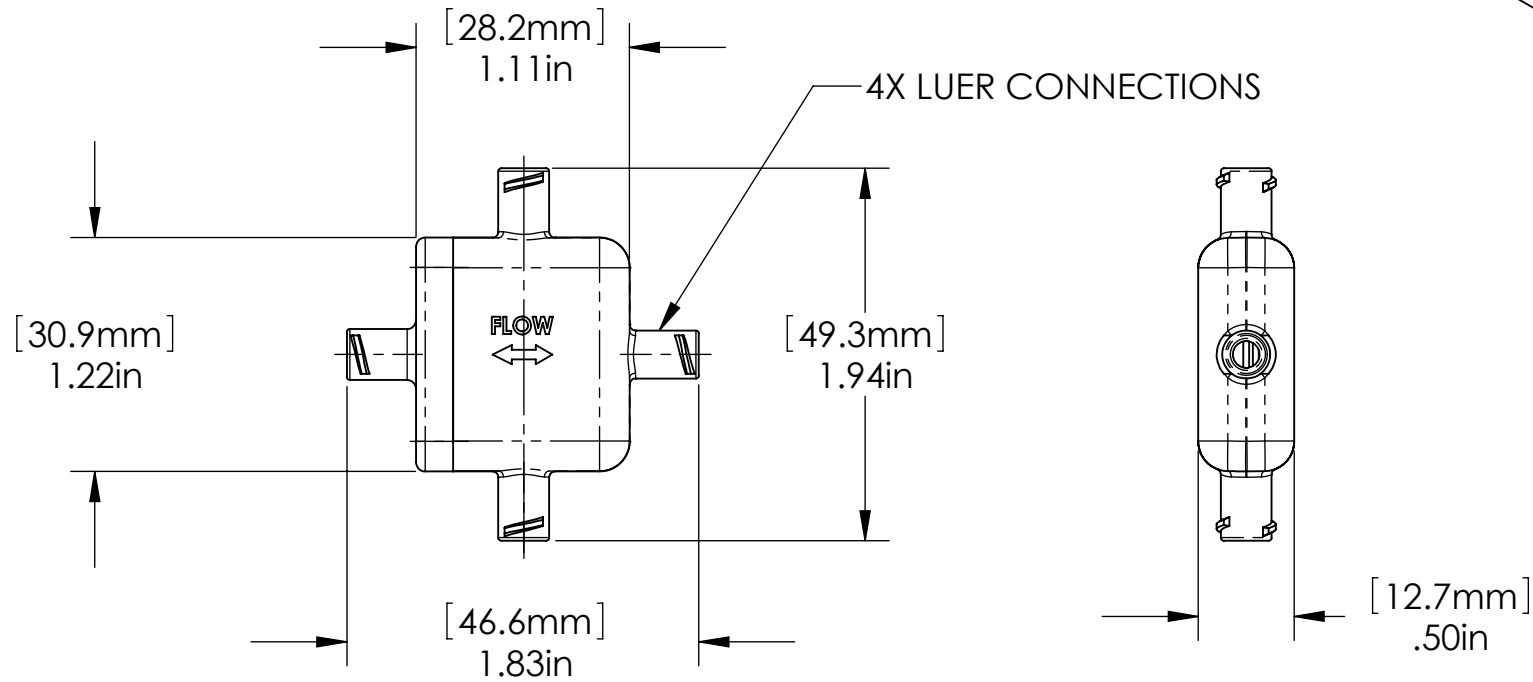
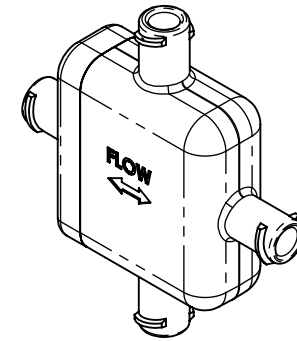


REV.	DESCRIPTION	DATE
1	ADDED mm/in TO DIMENSIONS	3/25/2008
2	ECN-2012-0052	4/24/2012



<p><b>CONFIDENTIAL</b></p> <p>THE INFORMATION CONTAINED HEREIN IS CONFIDENTIAL, IS THE PROPERTY OF MEMBRANA-CHARLOTTE, AND MAY NOT BE USED BY OR DISCLOSED TO OTHERS WITHOUT THE WRITTEN CONSENT OF MEMBRANA. ALSO, THE INFORMATION CONTAINED HEREIN MAY NOT BE USED FOR ANY PURPOSE OTHER THAN THE EXPRESSED INTENT FOR WHICH IT WAS LENT.</p> <p>© 2012 Membrana-Charlotte. All rights reserved.</p>	SCALE: 1:1		NAME	DATE	
	WT:		DRAWN	GPT 3/25/08	
	Purchase Spec:		ENG APPR.		
			MFG APPR.		
	SIZE <b>A</b>	TITLE: FLAT MICROMODULE®, 0.5X1, LUER			
MATERIAL	PART NO.	DWG. NO.	SHEET 1 OF 1	REV <b>2</b>	
DO NOT SCALE DRAWING	<b>SMC-0101-12-7631</b>				

